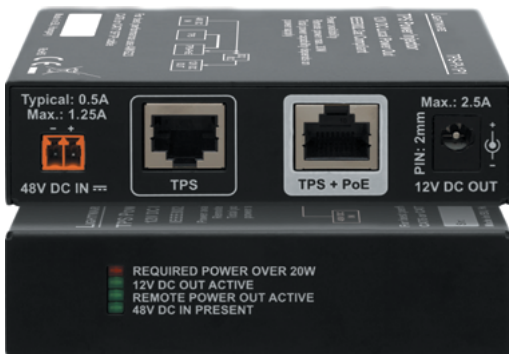


Single port standalone TPS power injector



Part No: 9134 0010



Highlight features

- Single port 48V remote power feed to a TPS endpoint
- Optimized for HDBaseT transmission
- 12V DC local power output
- Feeding up to 30W power

TPS-PI-1P1 is an IEEE802.3at compatible high end remote power injector device providing power to a remote TPS transmitter or receiver.* The TPS-PI-1P1 is able to power a TPS extender placed in the TPS transmission chain, anywhere between the transmitter and the receiver unit. The incoming data stays untouched, the signal quality is unaffected but a 48V DC remote power is added to the signal by this device.

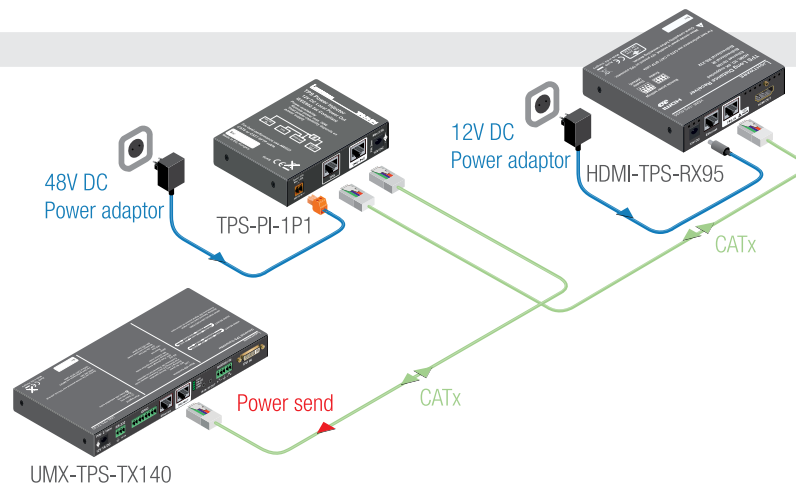
This unit provides a uni-directional remote power only, but thanks to the 12V local output option the other device can be powered with the TPS-PI-1P1 if they are placed close to each other. Powering of the injector itself is provided by it's own included power adapter.

TPS-PI-1P1 has 4 front panel LED indicators for monitoring of the operation and troubleshooting: Power overload, 12V DC out active, Remote power out active and 48V DC in present.

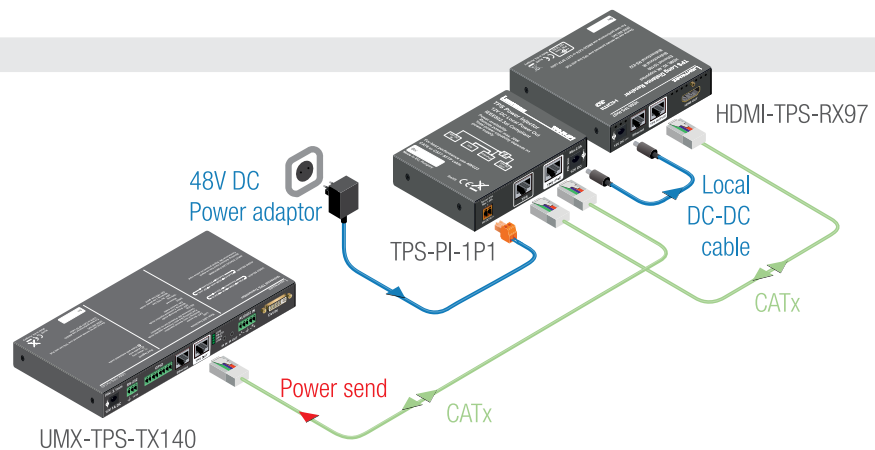
Comparing to the details of the powered device's extension distance chart the usage of the TPS-PI-1P1 may cause approximately 20% distance decrease depending on the powering mode (local or remote) and cable quality.

**Remote powering of the 95 series HDMI-TPS and DVI-HDCP-TPS devices is not available by the TPS-PI-1P1 power injector.*

Typical application



12V local powering application example



Compatible products

- DP-TPS-TX210
- DP-TPS-TX220
- DVI-HDCP-TPS-TX210
- DVI-HDCP-TPS-TX220
- HDMI-TPS-TX210
- HDMI-TPS-TX220
- UMX-TPS-TX120
- UMX-TPS-TX130
- UMX-TPS-TX140
- WP-UMX-TPS-TX120-US
- WP-UMX-TPS-TX130-US
- SW4-TPS-TX240

Supplied accessories

- 48V DC power adapter
- 12V patch cable for the local power option (CAB-12V-U16U)

Connectors

TPS input:	RJ-45
TPS+PoE output:	RJ-45
48V DC power input:	2-pole 3.5mm PHOENIX
12V DC power output:	Locking DC connector (2.1 / 5.5 mm)

Specification

TPS+PoE power output:	Max. 30 W
Local power output:	Max. 30 W (2.5A@12V)
Power consumption	4W typ., 8W max.
Enclosure:	1 mm metal
Dimensions:	100,4 W x 26 H x 67,6 D mm
Weight:	224g
Compliance	CE
Warranty:	3 years