



## Quick Start Guide

PSU2x10-200-12V  
PSU2x10-200-5V  
PSU2x20-400-12V  
PSU2x20-400-5V

### Front and Rear View



- 1 **Power LED** Power LED lights green when the unit is powered on.
- 2 **AC connector** Standard IEC power connector. Accepts 100 to 240 Volts, 50 or 60 Hz power sources.
- 3 **Power switch** The power supply can be switched ON/OFF with this switch.
- 4 **DC connectors** Locking DC connectors for the appliances that are desired to supply.

**i** The main differences among the variants are the number of the DC connectors and the voltage range; PSUx20-400-12V can be seen on the photos.

### Specifications

#### General

Compliance..... CE, UL  
Electrical safety..... EN 62368-1:2014  
..... IEC/UL/CSA 60065:2014  
EMC compliance (emission).....EN 55032:2015  
EMC compliance (immunity).....EN 55035:2017  
RoHS compliance.....EN 63000:2018  
Warranty ..... 3 years  
Operating temperature ..... 0 to +55°C (+32 to +122°F)  
Operating humidity ..... 10% to 90%, non-condensing  
Cooling..... Fan (2 pcs., 40 mm diam.), air flows right to left (front view)  
Protection against..... Short circuit / Overload / Over voltage / Over temperature

#### Connectors

AC power connector ..... IEC C14 receptacle  
DC power connector (5V version)..... locking DC connector, 2.5/5.5 mm  
DC power connector (12V version)..... locking DC connector, 2.1/5.5 mm

#### Power

Power supply option ..... built-in PSU  
Supported power source ..... 100-240 V AC; 50/60 Hz

AC fuse ..... F 5 A

Models	PSU2x10-200-5V	PSU2x20-400-5V	PSU2x10-200-12V	PSU2x20-400-12V
DC output number	10	20	10	20
Nominal power	200 W	400 W	200 W	400 W
DC output voltage	5V		12V	
Rated current per output port	2.5A		1.1A	
Heat dissipation (max.)	683	1365	683	1365

#### Enclosure

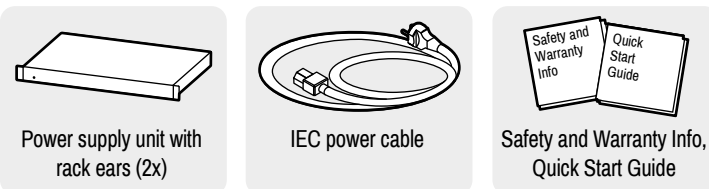
Rack mountable..... Yes, 1U high  
Enclosure material..... 1 mm steel  
Dimensions in mm ..... 482\* (446)W x 182D x 43.9H  
Dimensions in inch ..... 19\* (17.6)W x 7.2D x 1.8H  
Net Weight (PSU2x10-200 series).....2870 g / product  
Net Weight (PSU2x20-400 series).....3430 g / product  
\* with rack ears

### Introduction

Thank you for choosing Lightware's rack mountable power supply. The units are all housed in a 1U high solid metal rack enclosure for durability and easier mounting. 5V and 12V DC output versions are also available with 10 and 20 output connectors. Several protections are built in like short circuit, overload, over voltage, over temperature which features make these PSUs really trustful. The units are designed to supply devices made by Lightware.

**i** The cover picture of this document is an illustration. The PSU2x series devices are built with 2 pcs rack ears on the front side by default.

### Box Contents



**i** Please note that DC-DC power cables are not supplied with the product.

### Connecting Devices

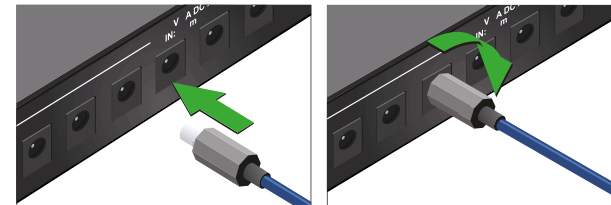
- Place the power supply unit in the rack and fix it by screws with the mounting ears.
- Connect the DC cables to the power supply and to the extender units.
- Connect the AC power cable to the power supply.
- Switch on the appliance.

**i** Please note that fixing screws and DC power cables are not supplied with the appliance.

**i** If the power supply cannot be switched on, please check the IEC power cable, the AC mains and the fuse at the AC connector on the back of the unit. If the LED on the front panel does not light up at all, the unit is most likely damaged and further use is not advised. Please contact [support@lightware.com](mailto:support@lightware.com).

### Locking DC Connectors

DC cables from Lightware contain locking DC connector that establishes robust and safe power connection. After plugging it in, turn the plug clockwise as shown on the picture:

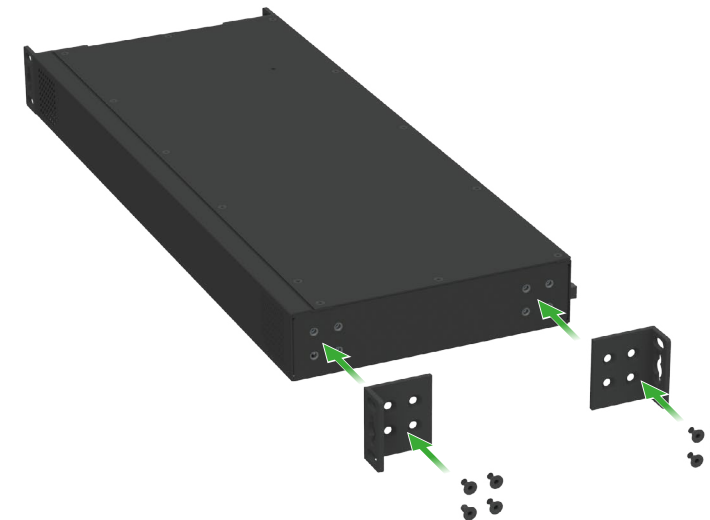


**i** Do not forget to turn the plug counterclockwise before trying to disconnect the cable.

### Assembly of the Rack Ears

Two rack ears are supplied with the product, which are fixed on left and right side with 8 pcs M4 screws. The ears are removable and can be re-assembled to another position or direction.

**i** M4x8 size is the longest allowed screw for fixing the ears to the housing. Using different (e.g. longer) screws may cause damage to the device.



### Compatibility

The following table contains those Lightware products which are compatible with the power supplies and also the technical data of the DC plug:

PSU2x10-200-5V, PSU2x20-400-5V		
DC plug		Compatible Lightware products
Power supply	Device	Type
2.5 / 5.5 mm	1.35 / 3.5 mm	DVI-OPT-110 series DP-OPT 150 series
	USB Micro-B	DVI-HDCP-OPTS 90 series DVI-HDCP-OPTM 90 series
2.5 / 5.5 mm	2.5 / 5.5 mm	EDID Manager V4 HDMI-, DVI-SL- and DVIDL extenders DA2DVI-HDCP-Pro DA2DVI-DL DA2HDMI 4K-Plus series DP-OPT 100 series DVI-TP series HDMI-, UMx- and DVIDL-OPT series HDMI 4K series SW4-OPT-TX240RAK Remote control panels

PSU2x10-200-12V, PSU2x20-400-12V		
DC plug		Compatible Lightware products
Power supply	Device	Type
2.1 / 5.5 mm	2.1 / 5.5 mm	DP-TPS-200 series DVI-HDCP-TP-50 and -100 series DVI-HDCP-TPS-90 and -210 series HDMI-TPS-TX-200 series HDMI-TPS-90-95-97 series HDMI-TPS-RX110AY HDMI-TP-50, -100 and -200 series UMX-TP series UMX-TPS-TX100 series TPS-TX200 series MMX4x2-HT200 MMX4x2-HDMI SW4-TPS-TX240

**i** Cables are available at Lightware, please contact [sales@lightware.com](mailto:sales@lightware.com).

### Mounting with Rack Ears

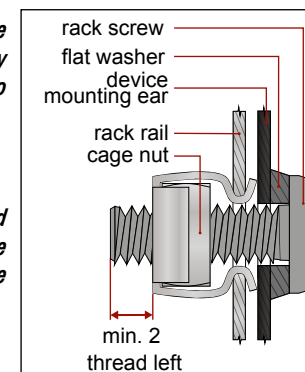
The rack ears allow mounting the device as a standard rack unit installation.



**i** Always use all the four screws for fixing the device ears to the rack rail. Choose properly sized screws for mounting. Keep minimum two thread left after the nut screw.

#### Ventilation

**i** To ensure the correct ventilation and avoid overheating let enough free space around the appliance. Do not cover the appliance, let the ventilation holes free on both sides.



### Further Information

The Product brief of this appliance is available on [www.lightware.com](http://www.lightware.com).  
See the [Downloads](#) section on the dedicated product page.

Contact Us  
[sales@lightware.com](mailto:sales@lightware.com)  
+36 1 255 3800

[support@lightware.com](mailto:support@lightware.com)  
+36 1 255 3810

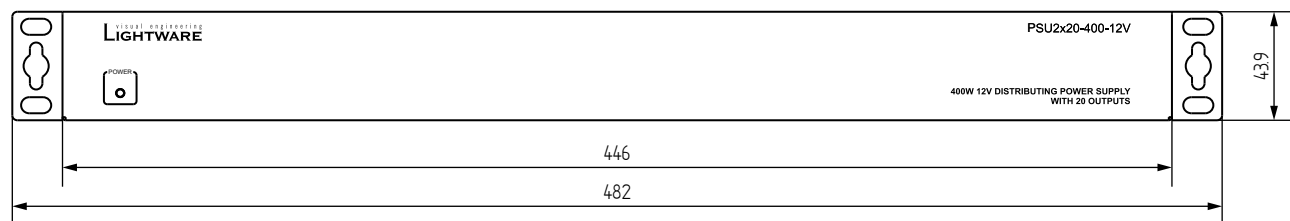
Lightware Visual Engineering LLC.  
Peterdy 15, Budapest H-1071, Hungary

Doc. ver.: 1.3  
19200160

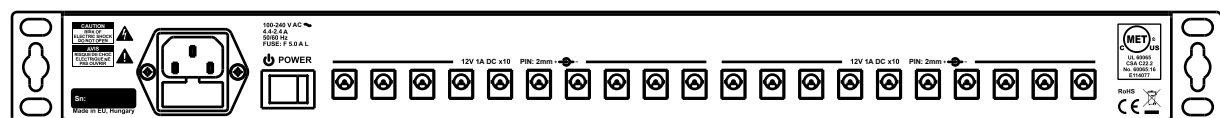
## Mechanical Drawings

The PSU2x20-400-12V model can be seen in the pictures, but the dimensions are the same for both models. Dimensions are in mm.

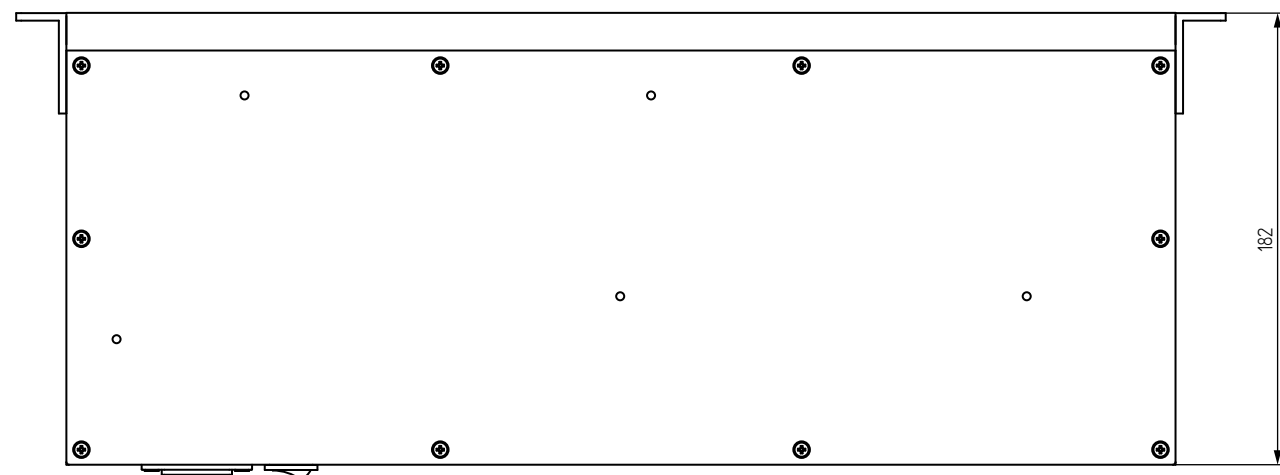
### Front View (1:3)



### Rear View (1:3)

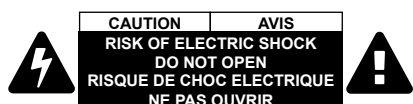


### Top View (1:3)



## Important Safety Instructions

Please read and keep the information in the attached safety instructions supplied with the product before starting using the device.



Safety Symbols Legend	
Symbol	Description
	Alternating current
	On (Power) / Off (Power)
	Caution, possibility of electric shock
	Caution

### Class I Apparatus Construction

This equipment must be used with a mains power system with a protective earth connection. The third (earth) pin is a safety feature, do not bypass or disable it. The equipment should be operated only from the power source indicated on the product.

To disconnect the equipment safely from power, remove the power cord from the rear of the equipment, or from the power source. The mains plug is used as the disconnect device, the disconnect device shall remain readily operable. There are no user-serviceable parts inside of the unit. Removal of the cover will expose dangerous voltages. To avoid personal injury, do not remove the cover. Do not operate the unit without the cover installed.

The appliance must be safely connected to multimedia systems. Follow instructions described in this manual.

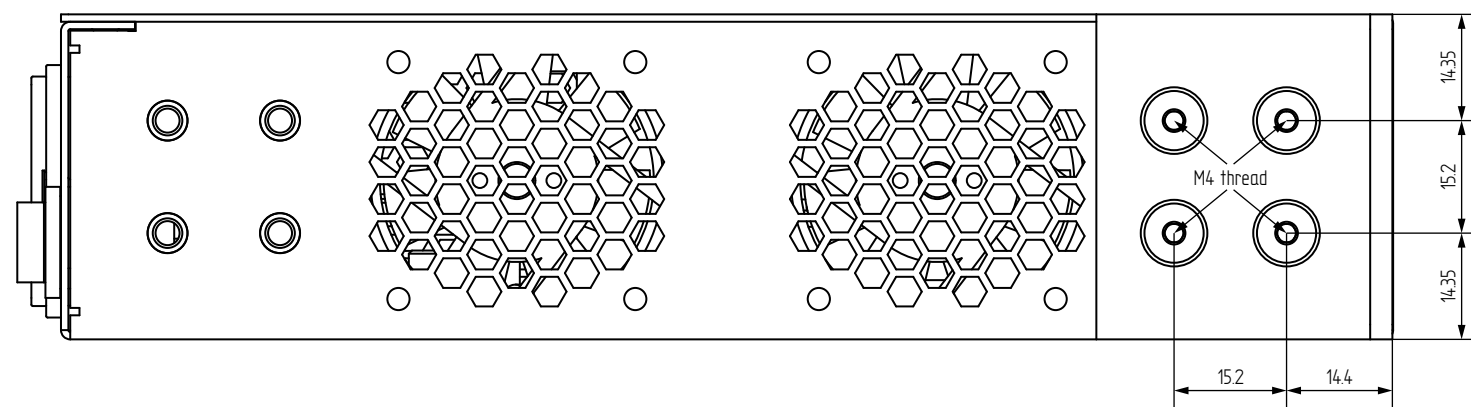
### Replacing the AC Fuse

Unplug the AC power cord from the device. Locate the AC fuse on the rear panel. Replace only the AC fuse as indicated on the rear panel. Connect the power cord to the device and to the AC power source. Make sure the device is working properly.

### Ventilation

For the correct ventilation and avoid overheating ensure enough free space around the appliance. Do not cover the appliance, let the ventilation holes free and never block or bypass the ventilators (if any).

### Side View (1:1)



## WARNING

To prevent injury, the apparatus is recommended to securely attach to the floor/wall or mount in accordance with the installation instructions. The apparatus shall not be exposed to dripping or splashing and that no objects filled with liquids, such as vases, shall be placed on the apparatus. No naked flame sources, such as lighted candles, should be placed on the apparatus.

### WEEE ( Waste Electrical & Electronic Equipment )

#### Correct Disposal of This Product

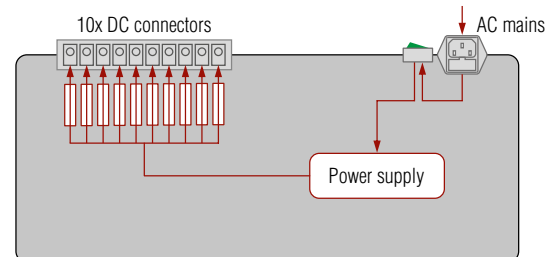
This marking shown on the product or its literature, indicates that it should not be disposed with other household wastes at the end of its working life. To prevent possible harm to the environment or human health from, uncontrolled waste disposal, please separate this from other types of wastes and recycle it responsibly to promote the sustainable reuse of material resources.



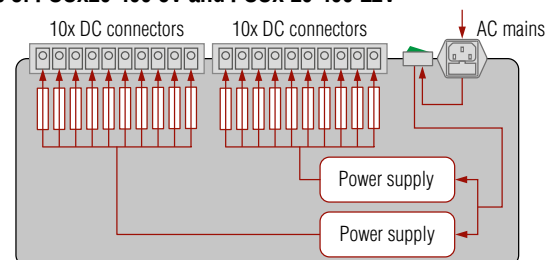
Household users should contact either the retailer where they purchased, this product, or their local government office, for details of where and how they can take this item for environmentally safe recycling.

Business users should contact their supplier and check the terms and conditions of the purchase contract. This product should not be mixed with other commercial wastes for disposal.

### Schematic of PSUx10-200-5V and PSUx-10-200-12V



### Schematic of PSUx20-400-5V and PSUx-20-400-12V



**i** If any of the DC connectors gets faulty, the other DC connectors will be usable due to the design of the appliance. Do not use the faulted connector, please contact [support@lightware.com](mailto:support@lightware.com).